

# BESTLIFT™

NEW!

## PL500 | FULL BODY PATIENT LIFT

The BestLift™ PL500 with it's 4.5" base height will fit under shorter beds than patient lifts were ever able before. Reducing the distance between bed and patient lift for simpler, safer transfers is Bestcare's goal. By adapting to the changing needs in facilities, Bestcare will continue to provide maximum safety and dependability in our patient lifts.



- 2 point spreader bar
- **500lb** capacity
- Dual front castors
- Electric upgrade to 24/7 electronics

Customer Service  
tel: 1-877-822-9033

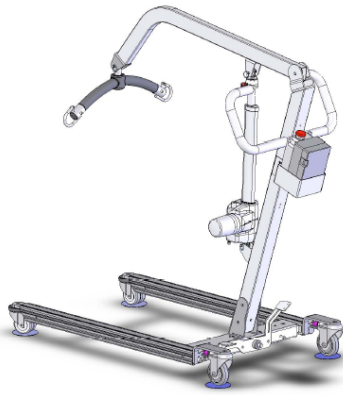
Sales  
tel: 1-877-822-9031

5885 Shiloh Rd., suite 104  
Alpharetta, Ga 30005  
bestcarellc.com

**Bestcare**  
L.L.C.

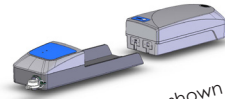
**| PL500EL**

**| PL500E-D**

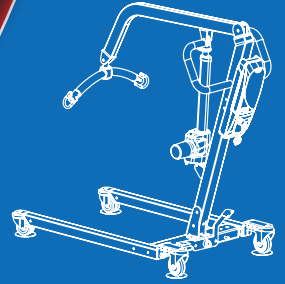


**NEW!**

**CONTINUOUS PERFORMANCE**



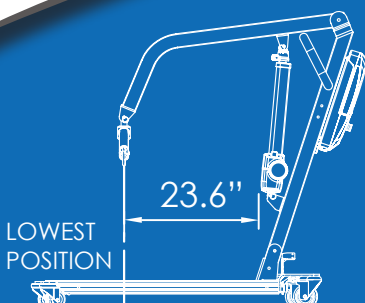
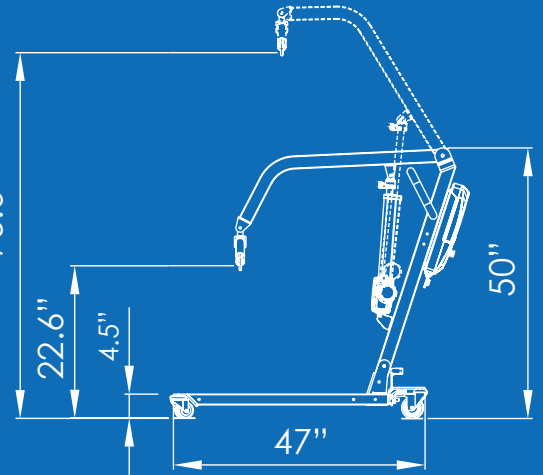
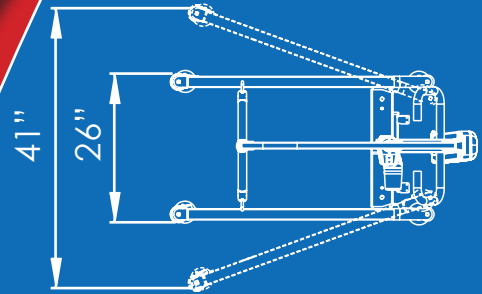
\*charger shown  
**24/7 ELECTRONICS**



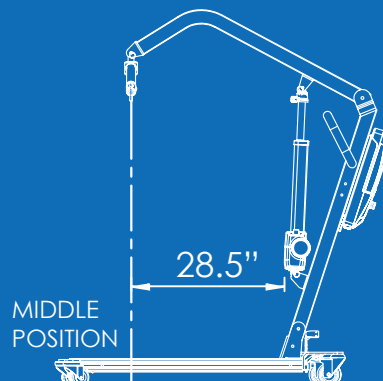
## **| DIMENSIONS**

<b>Key dimensions of PL500</b>	
maximum capacity	500Lb / 230Kg
base legs length	46.8"
base closed external width	26"
based open external width	41"
mast height	50"
base height	4.5"
min. lifting height	22.6"
max. lifting height	75.6"
distance from actuator (lowest)	23.6"
distance from actuator (middle)	28.5"
distance from actuator (highest)	9.8"

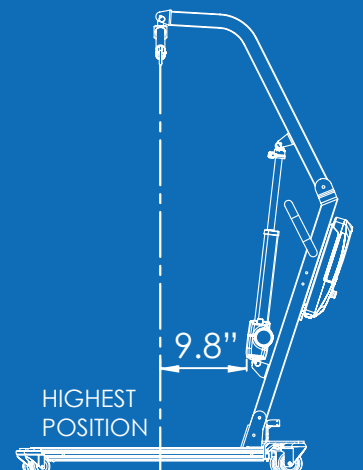
**\* SPECIFICATIONS PROVIDED ARE A GENERAL GUIDELINE AND ARE SUBJECT TO CHANGE WITHOUT NOTICE**



LOWEST POSITION



MIDDLE POSITION



HIGHEST POSITION